



Professional Plus

MULTIPARAMETER WATER QUALITY INSTRUMENT

SPEC SHEET
W14-05



a xylem brand



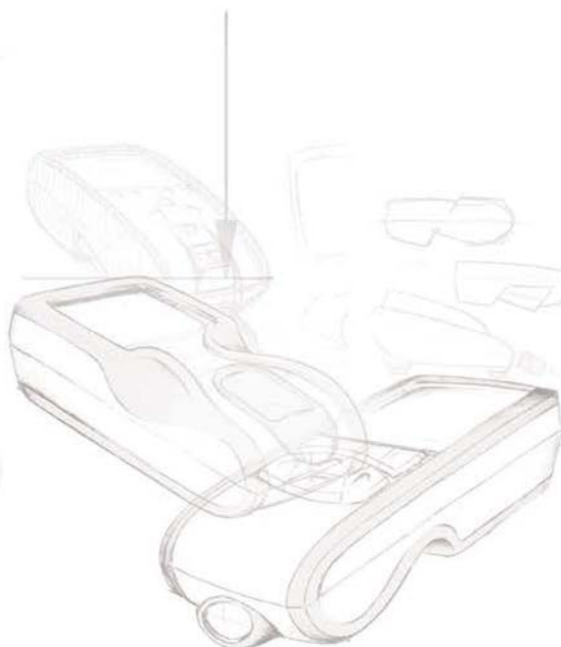
Professional Plus

The YSI Professional Plus is not a refinement. It came straight out of the imagination of our customers... and the ingenuity of a multi-disciplined team dedicated to making the ideal solution come to life. Our focus never wavered because listening to our customers is a continuous process, and the heart and soul of our commitment.

Designed to be tough and smart in the lab or field. And extremely versatile. The Pro Plus accommodates any combination of YSI Pro Series cables, sensors, and accessories. Want to measure DO in the field? Maybe pH/DO/Nitrate? Or perhaps you need it to be a lab instrument that measures BODs? Whatever you need...the Pro Plus is your choice.

YSI Pro Plus. The ultimate handheld sampling instrument.

Tougher. Smarter. More Versatile.



Rugged, durable field cable with a 2-year warranty standard

Backlit display AND keypad for use in true low-light conditions

The file system allows for a 100 folder and site list structure to store and easily manage 5,000 data sets

Adjustable right- or left-handed hand strap

Detailed on-screen Help function

Case is rubber over-molded to provide extra protection and prevent slipping; also allows for flat non-slip design on a table top and provides an IP-67 rating with or without the battery cover; 1-meter drop rated from all angles

MS (military-spec) connectors - rugged, waterproof, keyed, bayonet style quarter-turn lock

Multiple user-replaceable sensor options and a choice of galvanic or polarographic DO sensors



Tougher

Do your job with confidence even in the harshest field conditions. The drop-tested Pro Plus was designed tough with military-spec connectors, a two-year warranty on all cables, weighted sensor guards, and a rubber over-molded case with three-year warranty. Its interchangeable sensors and extra-durable cables nearly eliminate down time. And its low overall cost of ownership means you're making a worthwhile investment for years to come.



The Pro Plus uses the rugged, IP-67, Military Spec (MS) 1/4 turn lock, bayonet-style connector.



Quatro Cable

The multiparameter Quatro cable allows the measurement of temperature, conductivity, salinity, dissolved oxygen and any two ISEs -pH, ORP, ammonium, nitrate or chloride.



How Tough is TOUGH?

What a Come-back

A YSI customer accidentally dropped his Pro Plus off a 40-foot bridge into the river below. A week later, he and his team came back. Using a long pole to scrape the river bottom, they found the cable and then the meter. They were amazed to find that – after a week submerged in a muddy river bed – their Pro Plus still worked.

Not All is Lost

A YSI wastewater customer knocked a Pro Plus into an aeration basin. Seemingly lost for good, he reluctantly moved on. One year later, the tank was drained to complete minor maintenance. And there lay the meter. After a bit of cleaning, they turned it on. Not only did it work, but it's still being used today.

Easy-to-install cable weights;
can be daisy-chained for additional weight

Rubber, over-molded IP-67
waterproof case (even without battery cover)

3-year instrument warranty

2-year cable warranty

Rugged cables, sensors, and military-spec
connectors

Drop-tested 1 meter at all angles

Scratch-resistant lens; viewable with polarized
glasses

Instrument floats

Weighted, user-replaceable multi-sensor design



This Pro Plus was dragged nearly half a mile down a gravel road off the back of an ATV. They dusted it off and turned it on.

Field



Field Cable Options

(order ISE and DO sensors separately)

Single Parameter Options

60510 - ISE (pH, ORP, pH/ORP, ammonium, chloride, nitrate)*

60520 - DO (galvanic, polarographic)**

60530 - Conductivity/Salinity (sensor included)

Single Parameter Options with Conductivity

(conductivity & temperature sensors included)

6051030 - ISE/Conductivity

6052030 - DO/Conductivity

Dual Parameter Options

6051010 - ISE/ISE

6051020 - ISE/DO

Multiparameter Options

(conductivity & temperature sensors included)

Quatro - ISE/ISE, DO/Conductivity

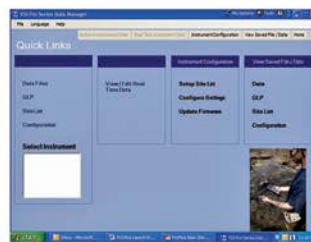
* Choice of ISE; pH, ORP, pH/ORP (not recommended on the 6051010 or Quatro cables)
Choice of ISE; Ammonium, Nitrate, or Chloride for fresh water only

** Choice of DO; Galvanic, Polarographic

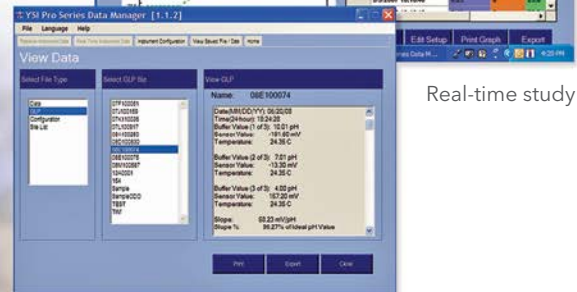
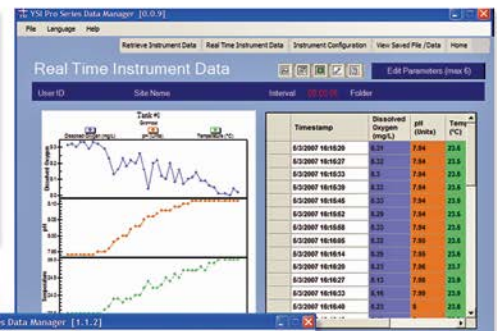
Choice of cable lengths: 1, 4, 10, 20, 30 meters all (up to 100 meters on 60520 only)

Smarter

The technology-smart YSI Pro Plus has all the built-in support you'll need for the lab or field. It provides multiple languages, detailed GLP (calibration) data, on-screen Help to eliminate the need for a bulky manual, sensor diagnostics, up to six-point auto-buffer recognition, re-cal prompts, user-defined auto-stable function, and security passwords for extra protection. And much more.



Home screen



Real-time study

GLP file data

FREE Data Manager Software

- Easy-to-use software to manage all your data studies
- View, print and export graphical and tabular data
- View and print GLP (calibration) data
- Quickly configure one or multiple instruments
- Conduct real-time studies

- ---

5000 data set memory
- ---

Free, Data Manager desktop software and ProComm II saddle
- ---

Interval or single-event logging
- ---

100 folder & site list data structure
- ---

Password protection
- ---

Detailed GLP data
- ---

USB connection also powers the instrument
- ---

6-point cal with auto-buffer recognition
- ---

User-adjustable auto-stable with prompts
- ---

User-upgradeable software via waterproof USB port
- ---

Recalibration prompts
- ---

Search function filters user-defined data information



The Pro Plus shown with the 605107 lab-grade pH sensor and the 605170 lab stand.



Laboratory Cable Options



Lab Grade ISE
605107 - pH
605108 - ORP
605109 - pH/ORP
 Choice of cable lengths:
 1 and 4 meters

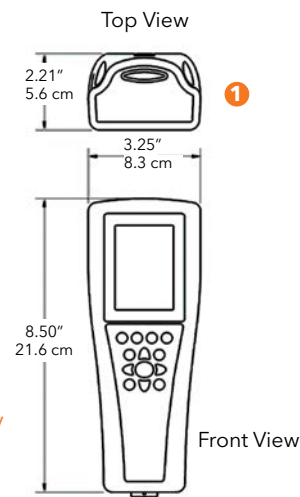


All field cables can also be used in the lab and are ideal to use with the 063507 tripod.

Self-Stirring BOD
605780 BOD
 2-meter cable

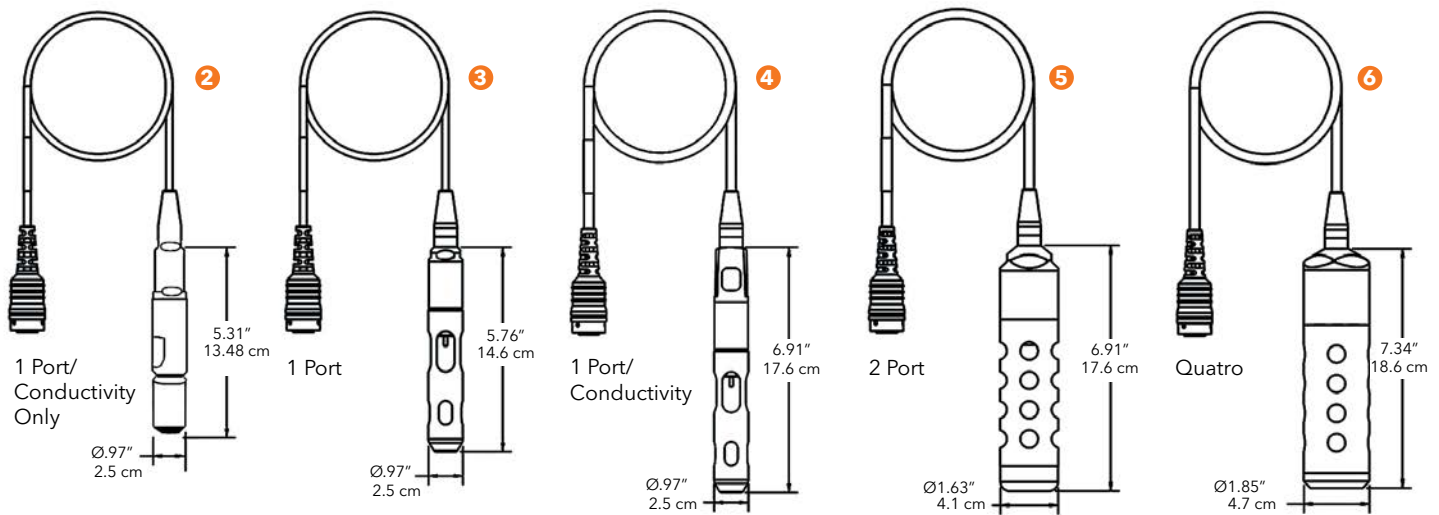
More Versatile

- 1 Pro Plus Instrument
- 2 Single Port Conductivity Only
- 3 Single Port Cable
- 4 Single Port Cable with Conductivity
- 5 Dual Port Cable
- 6 Quatro Multiparameter Cable



Professional Plus Instrument General Specifications

Auto Stable	User-defined auto-stable function holds stable readings on display when criteria is met
Barometer	Built-in barometer
Buffer Recognition	Auto buffer recognition for US and NIST buffers
Certifications	RoHS, CE, WEEE, C-Tick, VCCI, FCC, IP-67, 1-meter drop test, Assembled in USA
Connectivity	USB 2.0; ProComm II communications saddle and USB cable included; user-upgradeable software via USB and website
Connector	MS (military spec) waterproof with bayonet lock
Data Management	Data Manager desktop software included; 100 user-defined folders and site names
Data Memory	5,000 data sets (data, date, time, user-defined info); 100 GLP files
Dimensions	8.3 cm width x 21.6 cm length x 5.6 cm depth (3.25 in x 8.5 in x 2.21 in)
Display	Graphic display with detailed Help; backlit display AND keypad
DO Membrane Response Times (T95; 100%-0) and Flow Dependence	1.25 mil PE = 8 seconds and 6 in/sec flow 2.0 mil PE = 17 seconds and 3 in/sec flow 1 mil Teflon® = 18 seconds and 12 in/sec flow
DO Sensors	Polarographic or galvanic field sensors; self-stirring polarographic BOD sensor for the lab
Field Cables	Standard lengths of 1, 4, 10, 20, or 30 meters - up to 100 meters on DO only cables; all 4-meter and longer cables include a cable management kit
Flow Cell	Single, dual and multiparameter Quatro cable all flow cell compatible
GLP Compliance	Yes; detailed GLP information is stored and is available to view, download or print
Lab Cables	BOD sensor includes 2-meter cable; 1 or 4 meters on lab pH, ORP and pH/ORP cables
Languages	English, Spanish, German, French, Italian, Norwegian, Portuguese, Japanese, Chinese (Simplified & Traditional)
Logging Modes	Single or Continuous
Operating Temperature	-10 to 60°C
Power	2 alkaline C-cells provide 80 continuous hours at ambient temperature without backlight; ProComm II saddle provides USB power or optional wall power, cigarette lighter, and universal cell phone charger options
Storage Temperature	-20 to 70°C
User ID	Optional user ID for data security
Warranty	3-year instrument; 2-year field cables
Waterproof	IP-67 (even with the battery cover off); floats
Weight with Batteries	475 grams (1.05 lbs)



System Specifications (Cable and Sensors)						
	Sensor Type	Range	Accuracy	Resolution	Units	Calibration
Dissolved Oxygen (%) (temp comp range -5 to 45°C)	Polarographic or Galvanic	0 to 500%	0 to 200% (± 2% of reading or 2% air saturation, whichever is greater) 200% - 500% (± 6% of reading)	1% or 0.1% air saturation (user selectable)	%	1 or 2-points with zero
Dissolved Oxygen (mg/L) (temp comp range -5 to 45°C)	Polarographic or Galvanic	0 to 50 mg/L	0 to 20 mg/L (±2% of the reading or 0.2 mg/L, whichever is greater) 20 to 50 mg/L (±6% of the reading)	0.1 or 0.01 mg/L (user selectable); 0.1% air saturation	mg/L, ppm	1 or 2-points with zero
Temperature (Field rugged cables)		-5 to 70°C	±0.2°C (±0.3°C cables over 45-meters)		0.1°C	°C, °F, K
Temperature (Lab-grade)*		0 to 40°C	±0.35°C	0.1°C	°C, °F, K	
Conductivity**	Four electrode cell	0 to 200 mS/cm (auto range)	±0.5% of reading or 0.001 mS/cm, whichever is greater (1-, 4-m cable) ±1% of reading or 0.001 mS/cm, whichever is greater (20-m cable)	0.001 mS (0 to 0.500 mS); 0.01 mS (0.501 to 50.00 mS); 0.1 mS (50.01 to 200 mS)	µS, mS	1 point
Salinity	Calculated from conductivity and temperature	0 to 70 ppt	±1.0% of reading or 0.1 ppt, whichever is greater	0.01 ppt	ppt, PSU	1 point
pH	Glass Combination Electrode	0 to 14 units	±0.2 units	0.01 units	mV, pH units	1, 2, 3, 4, 5, or 6 point (user selectable); US, NIST or Custom Buffers
ORP	Platinum button	-1999 to +1999 mV	±20 mV in redox standards	0.1 mV	mV	1 point
Ammonium*** (ammonia with pH sensor)	Ion Selective Electrode	0 to 200 mg/L-N, 0 to 30°C	±10% of reading or 2 mg/L-N, whichever is greater	0.01 mg/L	mg/L-N, mV	1, 2, or 3 point (user selectable)
Nitrate***	Ion Selective Electrode	0 to 200 mg/L-N, 0 to 30°C	±10% of reading or 2 mg/L-N, whichever is greater	0.01 mg/L	mg/L-N, mV	1, 2, or 3 point (user selectable)
Chloride***	Ion Selective Electrode	0 to 1000 mg/L, 0 to 40°C	±15% of reading or 5 mg/L, whichever is greater	0.01 mg/L	mg/L-Cl-, mV	1, 2, or 3 point (user selectable)
Total Dissolved Solids (TDS)	Calculated from conductivity and temperature	0 to 100 g/L TDS constant range 0.30 to 1.00 (0.65 default)		0.001, 0.01, 0.1g/L	kg/L, g/L	
Barometer	Piezoresistive	375 to 825 mmHg	±1.5 mmHg from 0 to 50°C	0.1 mmHg	mmHg, inHg, mbar, psi, kPa, ATM	1 point
Instrument Only Specifications (at Ambient Temperature)						
pH		-2.60 to 16.60	±0.1 mV (0.01 pH units)	0.1 mV (0.01 pH units)		
ORP		-1999 to +1999 mV	±0.5 mV	0.1 mV		
Conductivity		0.0 to 200 mS/cm each range	±0.1% FS ±1 digit for µS/cm to 0.1 mS/cm (range dependent)	0.0001 mS/cm or 0.1		
Dissolved Oxygen		0.00 to 90 mg/L; 0 to 550%	±0.2% FS (550% air saturation) ±1 digit (with 1.25 PE membrane at 10°C)	0.01 mg/L; 0.1% air saturation		
Temperature		-10 to 100.00°C	±0.2% FS ±1 digit	0.1°C	°C, °F, K	

* Lab-grade cables include 605107, -108, -109, 605177, -178, -179 ** Derived parameters can include resistivity, salinity, specific conductance, and total dissolved solids

*** ISE sensors for freshwater only; 17-meter maximum depth

Order Guide

Step 1: Order Instrument

- Instrument 6050000** includes Data Manager software, the ProComm II communications saddle, and USB cable

Step 2: Order Cable(s)

All cables include temperature; cables over 1 meter include cable management kit; cables with conductivity include sensor (no need to order conductivity sensor)

- 60510: 1, 4, 10, 20 or 30** meter: ISE¹/temp
- 60520: 1, 4, 10, 20, 30** or up to **100** meters²: DO/temp
- 60530: 1, 4, 10, 20 or 30** meter: conductivity/temp
- 6051010: 1, 4, 10, 20 or 30** meter: ISE/ISE/temp
- 6051020: 1, 4, 10, 20 or 30** meter: ISE/DO/temp
- 6051030: 1, 4, 10, 20 or 30** meter: ISE/conductivity/temp
- 6052030: 1, 4, 10, 20 or 30** meter: DO/conductivity/temp
- 605790: 1, 4, 10, 20 or 30** meter: ISE/ISE/DO/conductivity/temp
- 605107:** 1-meter single junction pH sensor & cable
- 605177:** 4-meter single junction pH sensor & cable
- 605108:** 1-meter single junction ORP sensor & cable
- 605178:** 4-meter single junction ORP sensor & cable
- 605109:** 1-meter single junction pH/ORP sensor & cable
- 605179:** 4-meter single junction pH/ORP sensor & cable

Step 3: Order Sensor(s)

- 605202:** Galvanic DO
- 605203:** Polarographic DO
- 605780:** Self-stirring BOD (2-meter cable included)
- 605101:** pH (ISE)
- 605102:** ORP (ISE)
- 605103:** pH/ORP combination (ISE)³
- 605104:** Ammonium (ISE)
- 605105:** Chloride (ISE)
- 605106:** Nitrate (ISE)
- 605323:** Amplified pH Sensor (ISE)
- 605324:** Amplified pH/ORP Sensor (ISE)

¹ ISEs include pH, ORP, Ammonium, Nitrate, Chloride

² Special order cables in 10-meter increments up to 100 meter available

³ Not recommended on 6051010 or 605790 cables. Only pH would appear.





No tools are required to install the sensors.



Step 4: Order Solutions

- 3167:** 1,000 $\mu\text{s}/\text{cm}$ conductivity solution (8 pints)
- 3168:** 10,000 $\mu\text{s}/\text{cm}$ conductivity solution (8 pints)
- 3169:** 50,000 $\mu\text{s}/\text{cm}$ conductivity solution (8 pints)
- 3682:** Zobell, ORP solution (125 mL)
- 3824:** pH 4, 7, 10 buffers (2 pints each)
- 3841:** 1 mg/L ammonium solution (500 mL)
- 3842:** 10 mg/L ammonium solution (500 mL)
- 3843:** 100 mg/L ammonium solution (500 mL)
- 3885:** 1 mg/L nitrate solution (500 mL)
- 3886:** 10 mg/L nitrate solution (500 mL)
- 3887:** 100 mg/L nitrate solution (500 mL)
- 5580:** Confidence Solution® to verify pH, ORP and conductivity data (not for cal)

Step 5: Order Accessories

- 603059:** Flow Cell, Standard, 203 mL
- 603077:** Flow Cell Kit, 1- or 2-Port Sensor (includes 603059 & 603078)
- 606850:** Quatro Cable Flow Cell
- 603078:** Flow Cell Adapter, Single Port (used with 603059)
- 603056:** Flow Cell Mounting Spike
- 603075:** Carrying Case, Soft-Sided
- 603074:** Carrying Case, Hard-Sided
- 603162:** Carrying Case, Small, Soft-Sided
- 603069:** Belt Clip
- 063517:** Ultra Clamp
- 063507:** Tripod
- 603062:** Cable Management Kit
- 605978:** Weight, Sensor/Cable, 4.9 oz.
- 063019:** Weight, Sensor/Cable, 24 oz., 3"
- 063020:** Weight, Sensor/Cable, 51 oz., 6"
- 603070:** Shoulder Strap
- 626444:** Lab Dock, Holds Meter and BOD probe
- 605170:** Electrode Lab Stand

Please visit YSI.com/accessories for more information

Visit ysi.com/ProPlus to order a system.

Xylem |'zilem|

- 1) The tissue in plants that brings water upward from the roots;
- 2) a leading global water technology company.

We're a global team unified in a common purpose: creating advanced technology solutions to the world's water challenges. Developing new technologies that will improve the way water is used, conserved, and re-used in the future is central to our work. Our products and services move, treat, analyze, monitor and return water to the environment, in public utility, industrial, residential and commercial building services settings. Xylem also provides a leading portfolio of smart metering, network technologies and advanced analytic solutions for water, electric and gas utilities. In more than 150 countries, we have strong, long-standing relationships with customers who know us for our powerful combination of leading product brands and applications expertise with a strong focus on developing comprehensive, sustainable solutions.

For more information on how Xylem can help you, go to www.xylem.com.



Scan this QR Code with your smart phone to watch an ordering guide video for the Pro Plus



YSI Incorporated
1725 Brannum Lane
Yellow Springs, OH 45387

 1.800.897.4151
 info@ysi.com
 YSI.com/ProPlus



Specifications are subject to change. Please visit YSI.com to verify all specs.
Pure Data for a Healthy Planet, We Know D.O., Confidence Solution, and Who's Minding the Planet are registered trademarks of Xylem Inc. or one of its subsidiaries. Teflon® is a registered trademark of the Chemours company.
© 2018 YSI, a Xylem brand W14-05 0718

YSI.com/ProPlus